

Revision

Date:
4/13/2021

A Division of Greater Cincinnati Water Works



City Stormwater Management Engineer

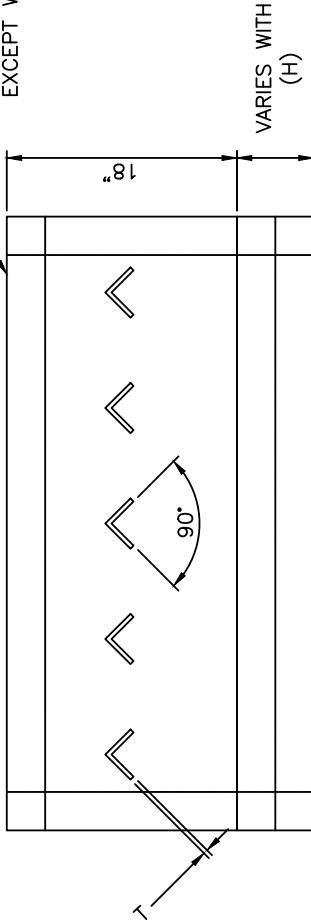
Typical Intake Trash Rack - 120090

Approved
Eric Sawyer

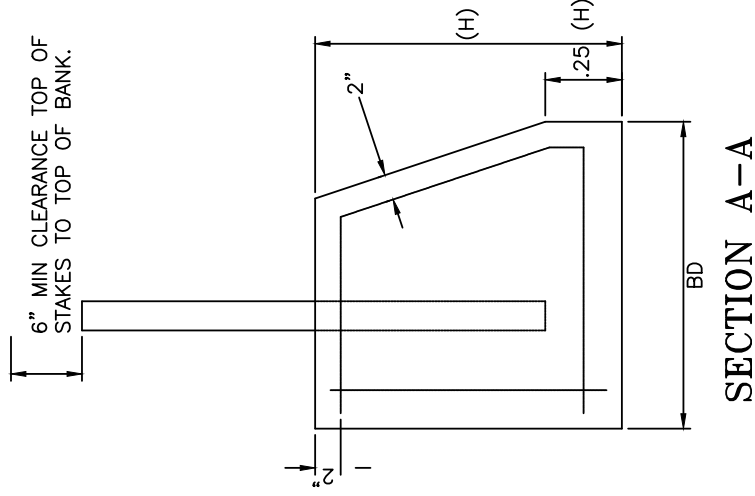
13

QC1 CONCRETE
REINFORCE WITH #42
WIRE MESH OR EQUAL
WITH 2" MIN COVER
EXCEPT WHERE NOTED.

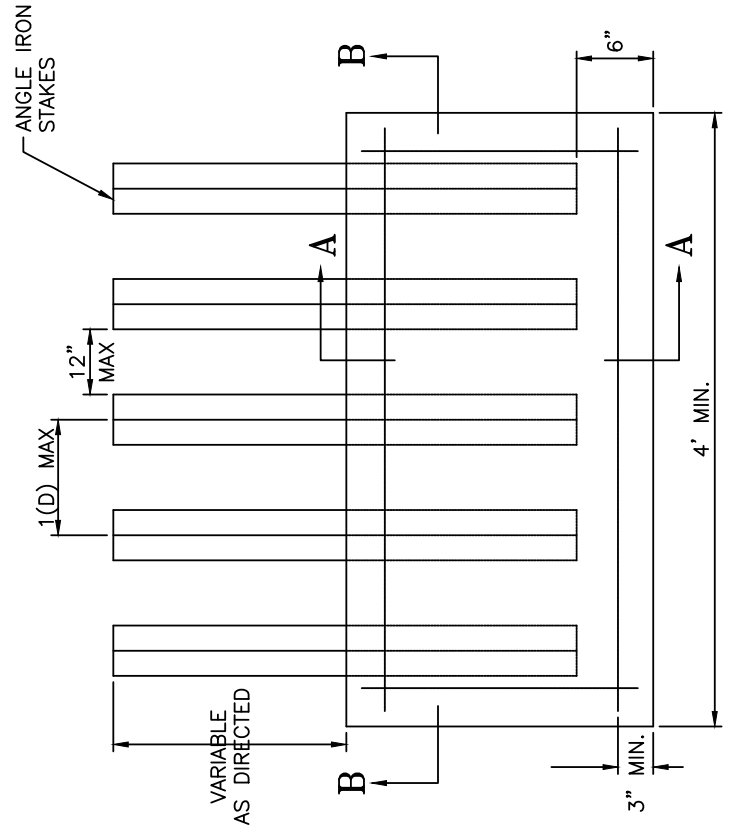
DIRECTION OF FLOW



SECTION B-B



SECTION A-A



General SMU Notes

1. Inlet chambers shall be precast or made from concrete block in accordance with latest ODOT CMS and City Supplement specifications.
2. All structures must meet standard inside dimensions.
3. Block chambers shall be made from solid slab blocks.
4. Mortar joints shall be a minimum of 3/8".
5. Block walls shall be skim coated with a minimum 1/8" mortar.
6. Casting shall be set in a bed of mortar.
7. Block floors are not permitted.
8. Precast box shall be set on a bed of 6" compacted #57 stones with the floor poured to match flow lines.
9. Concrete floors shall be a minimum of 6" thick.
10. Precast walls shall be a minimum 6" thick.
11. All risers shall be sealed with 2 rows of Con-seal. One interior and one exterior.
12. Pipes shall not enter within 8" of an inside corner.
13. Outlet pipe shall be flush with wall or protrude no more than 1".
14. For incoming conduits with diameter of 8" and smaller see Acc. # 120340.
15. For standard casting, see Acc. # 49017.
16. For standard reinforcing steel notes see Acc. # 49010.
17. Inlet connections in a cone section are not permitted.
18. No more than 2 inlet connections spaced 2' +/- apart horizontally in a 3' or 4' manhole section.
19. Hubs inside of any structure are not permitted.
20. All reinforcing bars shall clear interior face of wall by 2".
21. For installation of risers, a 1" tolerance in either direction is permitted.
22. Protrusions for inlet pipes shall be a minimum of 1" and a maximum of 2".

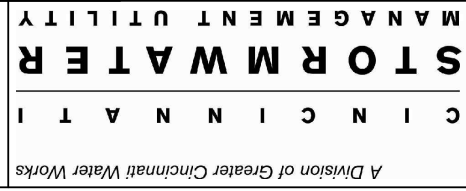
23. All pipes shall be set in a bed of mortar, dry fitting is not permitted.
24. Pipe edges shall be smooth. No jagged edges are permitted.
25. Shop drawings for precast structures must be approved prior to work commencing.
26. No knockouts are permitted.
27. No steps are permitted.
28. All penetrations shall be manufactured or cored and shall not exceed 4" greater than the conduit's outside diameter.
29. Shims are not permitted.

Typical Intake Trash Rack

1. ALL ANGLES – A36 GALVANIZED STEEL.
2. TOP OF CONCRETE ANCHOR SET AT CREEK BED ELEVATION.
3. ALL ANGLES ARE 90° BD (BASE DIMENSION) SHALL EQUAL HEIGHT (H) OF CONCRETE ANCHOR (D) INDICATES INTAKE CONDUIT SIZE. CROSSBARS AS DIRECTED.

ANGLE IRON STAKES			
CONDUIT SIZE (D)	SIZE	HEIGHT (H)	THICKNESS (T)
12"	3" X 3"	24"	3/8"
15"	3" X 3"	24"	3/8"
18"	3" X 3"	38"	3/8"
24" AND OVER	5" X 5"	48"	1/2"

Revision
Date:
4/13/2021



A Division of Greater Cincinnati Water Works

Approved
Eric Sawyer

Typical Intake Trash Rack - 120090

City Stormwater Management Engineer